

Article number	Item code	Description	Quantity
1	See Table	Tri-lens	1
2	504276-2	Flange	1
3	504276-3	Glass	1
4	504276-4	Gasket	1
5	504329	Pivot	2
6	504341	Fixing bracket	1
7	514482	Flange	1
8	531021	Unit body	1

Item code	Description	Quantity
110329	Tri-lens 10°	1
110328	Tri-lens 30°	1
110330	Tri-lens 45°	1

Description : microDIVE WHITE

Code : AL1867

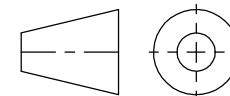
Scale : 1:2

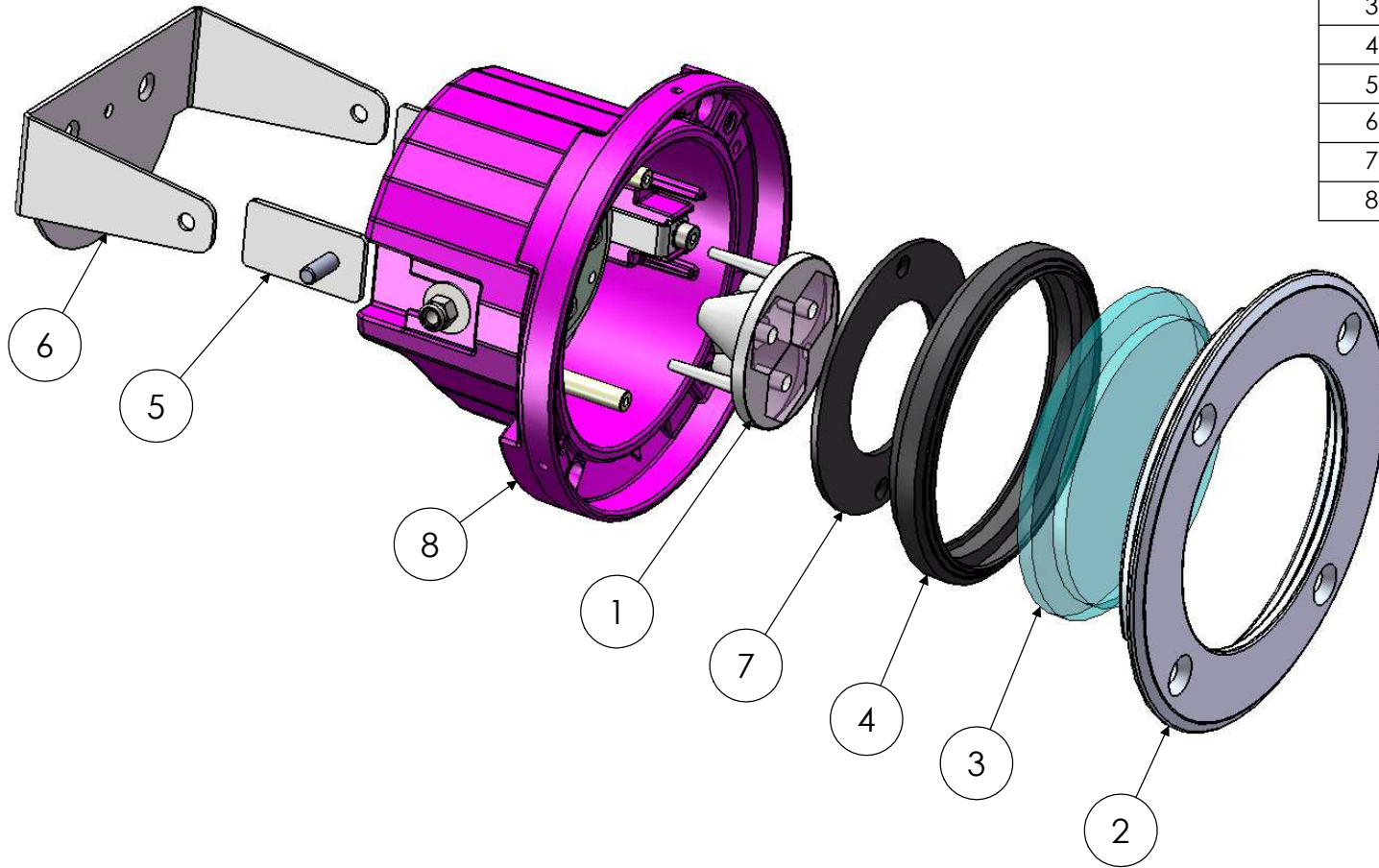
Weight :

Revision : A-01

SHEET 1 OF 2

Note :





Article number	Item code	Description	Quantity
1	See Table	Tri-lens	1
2	504276-2	Flange	1
3	504276-3	Glass	1
4	504276-4	Gasket	1
5	504329	Pivot	2
6	504341	Fixing bracket	1
7	514482	Flange	1
8	531023	Unit body	1

Item code	Description	Quantity
110329	Tri-lens 10°	1
110328	Tri-lens 30°	1
110330	Tri-lens 45°	1

Description : microDIVE WARM WHITE

Code : AL1864

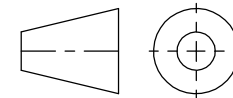
Scale : 1:2

Weight :

Revision : A-01

SHEET 2 OF 2

Note :



<http://www.griven.com>