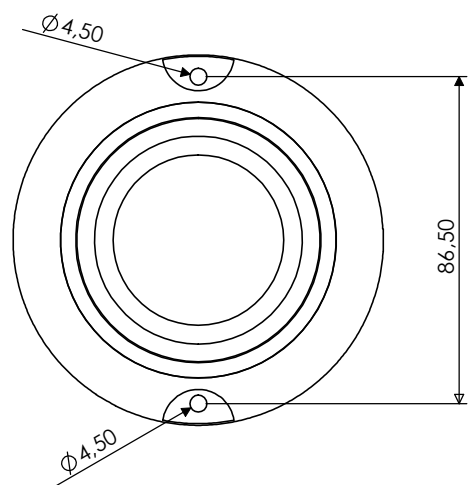
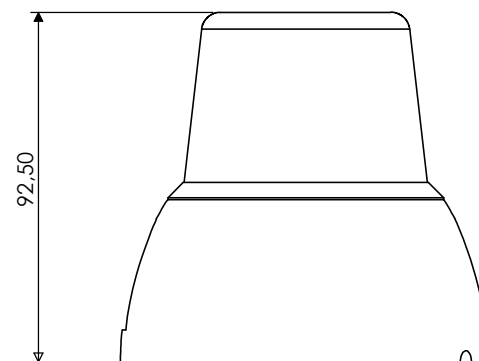
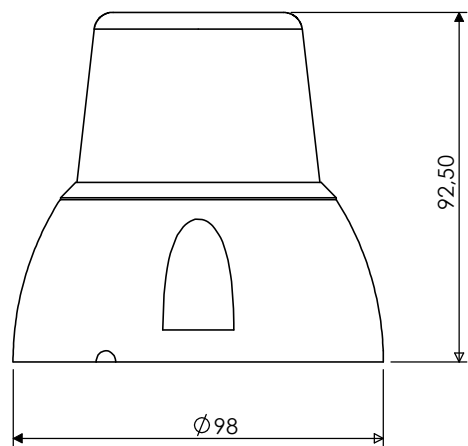


Description : GRAPH-i-CORE (FROSTED)				
Code : AL2030	Scale : 1:2	Weight :		
Revision : A-01	SHEET 1 OF 1	Note :		



Description : GRAPH-i-CORE (CYLINDER CAP)

Code : AL2033

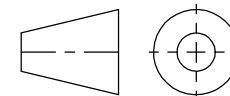
Scale : 1:2

Weight :

Revision : A-01

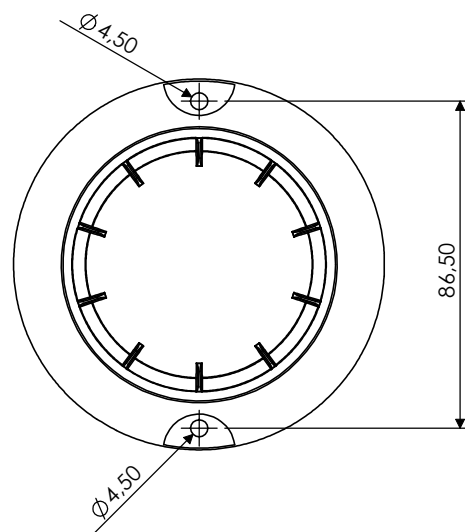
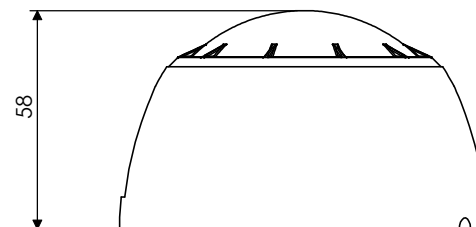
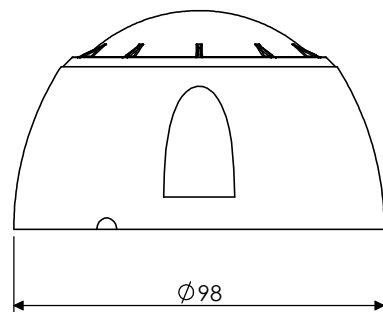
SHEET 1 OF 1

Note :



GRIVEN
world lighting challenge

<http://www.griven.com>



Description : GRAPH-i-CORE (CLEAR)

Code : AL2036

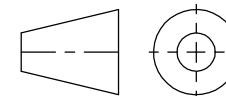
Scale : 1:2

Weight :

Revision : A-01

SHEET 1 OF 1

Note :



GRIVEN
world lighting challenge

<http://www.griven.com>